



**PERFORMANCE RANGE**

The Sutorbilt 4500 Series units will operate at pressure to 15 psi and vacuum to 16"Hg or greater. Sutorbilt blowers / vacuum pumps are designed for continuous service at the rated pressures and speeds described in the performance charts. Standard Viton lip seals allow discharge temperatures up to 325°F, with short case units approved to 360°F. Mechanical seals are available in 6", 7" and 8" gear diameters for gas service with the same temperature limits.

**FEATURES**

**Noise Reduction** - All 4500 Series units incorporate elliptical shaped inlet and outlet ports, which minimize inrush air noise and permit gradual release of downstream noise. These ports reduce air noise significantly, lessen mechanical loading and aid in controlling vibration.

**Rugged Construction** - The 4500 Series positive displacement blowers are compact, heavy-duty and produced from high strength materials. They are designed for long life and simplified servicing.

**Simplified Timing** - A remarkably simple, yet exceptionally precise method is used to set the timing gears for proper clearance between the impellers. The 4500 Series employs a grip ring, sets of two complementary wedge section rings, between the gear and the shaft. These rings expand against the bore of the gear and contract on the shaft. The result is an immovable friction fit. Two sets of grip rings are used for each timing gear.



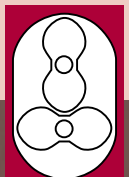
Grip rings replace conventional timing hubs and guarantee that the timing gears are mounted square and concentric to the shaft. This eliminates runout and results in minimum gear noise and wear.



**Lubrication** - Anti-friction bearings and timing gears are lubricated by a self-contained splash system. This method eliminates the need for the customary pump, sump and vulnerable external tubing. The 4500 Series features an extra large gear case and drive end covers which hold an abundance of oil. These built-in reservoirs allow oil to circulate and dissipate the heat so that bearings and gears run cool, even under heavy load. To prevent undetected losses of lubricant, the 4500 Series has been designed with oil level sight glasses at both ends.



**Bearings** - Large, anti-friction bearings are locked against shoulders on both impeller shafts at gear end. This maintains factory-set clearances between headplates and impellers. The bearings are sized to accept substantial thrust, so the drive shaft may be direct connected to engines or motors, or driven by conventional belts.



**POSITIVE DISPLACEMENT LOBE BLOWERS/VACUUM PUMPS**

**4500 SERIES**

# PERFORMANCE SPECIFICATIONS - PRESSURE

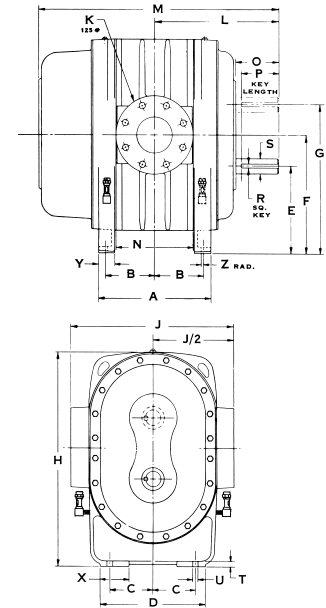
Model	CFR	RPM	6 PSI		8 PSI		10 PSI		12 PSI		15 PSI		WT. LBS.
			CFM	BHP	CFM	BHP	CFM	BHP	CFM	BHP	CFM	BHP	
608	0.39	1460	396	15.4	369	20.4	345	25.3	323	30.3			540
		1770	516	18.9	490	25.0	466	31.0	444	37.0	416	46.0	
		2150	665	23.5	638	30.8	614	38.1	593	45.5	564	56.4	
		2330	735	25.8	708	33.7	684	41.6	663	49.6	634	61.4	
		2880	949	33.2	923	43.0	899	52.8	877	62.6	848	77.3	
612	0.59	1460	648	23.2	615	30.7	585	38.2					620
		1770	830	28.5	797	37.7	768	46.8					
		2150	1055	35.4	1021	46.5	992	57.5					
		2330	1161	38.8	1128	50.8	1099	62.7					
		2880	1485	49.8	1452	64.6	1423	79.4					
615	0.73	1460	807	28.8	767	38.1							680
		1770	1033	35.5	993	46.8							
		2150	1310	44.1	1270	57.8							
		2330	1442	48.4	1401	63.2							
		2880	1843	62.4	1803	80.7							
618	0.88	1460	994	34.9									740
		1770	1267	43.1									
		2150	1601	53.7									
		2330	1759	59.0									
		2880	2244	76.4									
711	0.73	1170	636	23.0	602	30.4	572	37.9	546	45.3	509	56.5	790
		1460	848	29.1	814	38.4	784	47.7	757	57.0	721	70.9	
		1770	1074	36.0	1040	47.2	1010	58.5	984	69.8	947	86.7	
		2100	1315	43.7	1281	57.1	1251	70.5	1224	83.8	1188	103.9	
		2440	1563	52.3	1529	67.8	1500	83.4	1473	98.9	1436	122.2	
713	0.87	1170	769	27.5	730	36.3	696	45.2					850
		1460	1021	34.8	982	45.9	948	57.0					
		1770	1291	43.1	1252	56.6	1218	70.0					
		2100	1578	52.6	1539	68.5	1505	84.4					
		2440	1874	63.0	1835	81.5	1801	100.1					
716	1.06	1170	952	33.3	908	44.1							940
		1460	1259	42.2	1215	55.7							
		1770	1588	52.1	1543	68.5							
		2100	1938	63.3	1893	82.7							
		2440	2298	75.6	2254	98.1							
721	1.40	1170	1268	44.2									1090
		1460	1674	56.1									
		1770	2108	69.5									
		2100	2570	84.8									
		2440	3046	101.7									
812	1.04	1170	957	33.2	917	43.8	882	54.4	850	65.0	806	80.9	1050
		1460	1259	42.4	1218	55.6	1183	68.9	1151	82.1	1107	102.0	
		1770	1581	52.9	1541	68.9	1505	85.0	1473	101.0	1430	125.1	
		1910	1727	57.9	1686	75.2	1651	92.6	1619	109.9	1575	135.9	
		2100	1924	65.0	1884	84.1	1849	103.1	1817	122.2	1773	150.7	
816	1.39	1170	1299	44.2	1249	58.4	1205	72.6					1180
		1460	1702	56.3	1652	74.0	1607	91.7					
		1770	2133	70.1	2083	91.6	2038	113.0					
		1910	2328	76.7	2277	99.8	2233	123.0					
		2100	2592	86.0	2542	111.4	2497	136.9					
820	1.74	1170	1640	55.2	1578	72.9							1370
		1460	2144	70.2	2083	92.3							
		1770	2683	87.2	2622	114.0							
		1910	2927	95.2	2866	124.2							
		2100	3258	106.6	3197	138.5							
824	2.09	1170	1985	66.5									1625
		1460	2591	84.8									
		1770	3238	105.6									
		1910	3531	115.5									
		2100	3929	129.5									

Shaded areas are subject to temperature and drive limitations and must be referred to factory for proper application. Capacities and horsepower based on standard air at inlet. For vacuum applications contact your Sutorbilt Representative or Gardner Denver Blower Division.



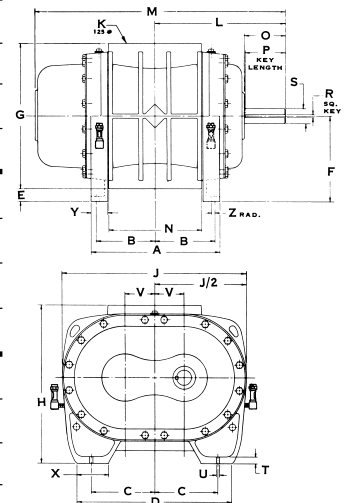
## VERTICAL STYLE

MODEL	A	B	C	D	E	F	G	H	J	J/2	K	L	M	N	O	P	R	S	T	U	X	Y	Z
608	12	5 5/16	4	10	9	12	15	21 1/4	18	9	6	12 3/4	23 5/8	8	4 1/2	4 1/4	3/8	1 9/16	7/8	3/4	3	1 7/8	3/8
612	16	7 5/16	4	10	9	12	15	21 1/4	18	9	8	14 3/4	27 5/8	12	4 1/2	4 1/4	3/8	1 9/16	7/8	3/4	3	1 7/8	3/8
615	19	8 13/16	4	10	9	12	15	21 1/4	18	9	8	16 1/4	30 5/8	15	4 1/2	4 1/4	3/8	1 9/16	7/8	3/4	3	1 7/8	3/8
618	22	10 5/16	4	10	9	12	15	21 1/4	18	9	8	17 3/4	33 5/8	18	4 1/2	4 1/4	3/8	1 9/16	7/8	3/4	3	1 7/8	3/8
711	15 1/4	7 1/16	5 1/4	12 1/4	10	13 1/2	17	24 1/2	20	10	8	15 3/8	29 5/8	11	4 7/8	4 3/4	3/8	1 3/4	1 3/14	3/4	3 3/8	2	3/8
713	17 1/4	8 1/16	5 1/4	12 1/4	10	13 1/2	17	24 1/2	20	10	8	16 3/8	31 5/8	13	4 7/8	4 3/4	3/8	1 3/4	1 3/14	3/4	3 3/8	2	3/8
716	20 1/4	9 1/16	5 1/4	12 1/4	10	13 1/2	17	24 1/2	20	10	10	17 7/8	34 5/8	16	4 7/8	4 3/4	3/8	1 3/4	1 3/14	3/4	3 3/8	2	3/8
721	25 1/4	12 1/16	5 1/4	12 1/4	10	13 1/2	17	24 1/2	20	10	10	20 3/8	39 5/8	21	4 7/8	4 3/4	3/8	1 3/4	1 3/14	3/4	3 3/8	2	3/8
812	18 3/4	8	6	15	12 1/2	16 1/2	20 1/2	29 1/8	22	11	8	18 1/8	34	12	6 3/4	6 1/2	1/2	1 7/8	1	7/8	4 3/8	3 1/4	7/16
816	22 3/4	10	6	15	12 1/2	16 1/2	20 1/2	29 1/8	22	11	10	20 1/8	38	16	6 3/4	6 1/2	1/2	1 7/8	1	7/8	4 3/8	3 1/4	7/16
820	26 3/4	12	6	15	12 1/2	16 1/2	20 1/2	29 1/8	22	11	12	22 1/8	42	20	6 3/4	6 1/2	1/2	1 7/8	1	7/8	4 3/8	3 1/4	7/16
824	30 3/4	14	6	15	12 1/2	16 1/2	20 1/2	29 1/8	22	11	12	24 1/8	46	24	6 3/4	6 1/2	1/2	1 7/8	1	7/8	4 3/8	3 1/4	7/16



## HORIZONTAL STYLE

MODEL	A	B	C	D	E	F	G	H	J	J/2	K	L	M	N	O	P	R	S	T	U	V	X	Y	Z
608	12	5 5/16	6	14 3/4	0	9	18	18	18 1/2	9 1/4	6	12 3/4	23 5/8	8	4 1/2	4 1/4	3/8	1 9/16	7/8	3/4	3	1 7/8	1 7/8	3/8
612	16	7 5/16	6	14 3/4	0	9	18	18	18 1/2	9 1/4	8	14 3/4	27 5/8	12	4 1/2	4 1/4	3/8	1 9/16	7/8	3/4	3	3 1/4	1 7/8	3/8
615	19	8 13/16	6	14 3/4	0	9	18	18	18 1/2	9 1/4	8	16 1/4	30 5/8	15	4 1/2	4 1/4	3/8	1 9/16	7/8	3/4	3	3 1/4	1 7/8	3/8
618	22	10 5/16	6	14 3/4	0	9	18	18	18 1/2	9 1/4	8	17 3/4	33 5/8	18	4 1/2	4 1/4	3/8	1 9/16	7/8	3/4	3	3 1/4	1 7/8	3/8
711	15 1/4	7 1/16	7 1/2	18 1/4	0	10	20	20	22	11	8	15 3/8	29 5/8	11	4 7/8	4 3/4	3/8	1 3/4	1 3/16	3/4	3 1/2	3 5/8	2	3/8
713	17 1/4	8 1/16	7 1/2	18 1/4	0	10	20	20	22	11	8	16 3/8	31 5/8	13	4 7/8	4 3/4	3/8	1 3/4	1 3/16	3/4	3 1/2	3 5/8	2	3/8
716	20 1/4	9 1/16	7 1/2	18 1/4	0	10	20	20	22	11	10	17 7/8	34 5/8	16	4 7/8	4 3/4	3/8	1 3/4	1 3/16	3/4	3 1/2	3 5/8	2	3/8
721	25 1/4	12 1/16	7 1/2	18 1/4	0	10	20	20	22	11	10	20 3/8	39 5/8	21	4 7/8	4 3/4	3/8	1 3/4	1 3/16	3/4	3 1/2	3 5/8	2	3/8
812	18 3/4	8	8	21 1/2	1 1/2	12 1/2	22	23 1/2	25 1/4	12 5/8	8	18 1/8	34	12	6 3/4	6 1/2	1/2	1 7/8	1	7/8	4	5 1/4	3 1/4	7/16
816	22 3/4	10	8	21 1/2	1 1/2	12 1/2	22	23 1/2	25 1/4	12 5/8	10	20 1/8	38	16	6 3/4	6 1/2	1/2	1 7/8	1	7/8	4	5 1/4	3 1/4	7/16
820	26 3/4	12	8	21 1/2	1 1/2	12 1/2	22	23 1/2	25 1/4	12 5/8	12	22 1/8	42	20	6 3/4	6 1/2	1/2	1 7/8	1	7/8	4	5 1/4	3 1/4	7/16
824	30 3/4	14	8	21 1/2	1 1/2	12 1/2	22	23 1/2	25 1/4	12 5/8	12	24 1/8	46	24	6 3/4	6 1/2	1/2	1 7/8	1	7/8	4	5 1/4	3 1/4	7/16



YOUR SUTORBILT REPRESENTATIVE

OTHER PRODUCTS AVAILABLE



# Gardner Denver

For additional information contact your local representative or  
Gardner Denver Blower Division

100 Gardner Park, Peachtree City, GA 30269

800-543-7736 Extension 448 770-632-5000

FAX: 770-486-5629 E-mail: [blowersmktg@gardnerdenver.com](mailto:blowersmktg@gardnerdenver.com)

Visit our website: [www.gardnerdenver.com](http://www.gardnerdenver.com)

For Parts Information, contact:

Gardner Denver Blower Division Customer Service

770-632-5000 800-982-3009 FAX: 770-486-5629